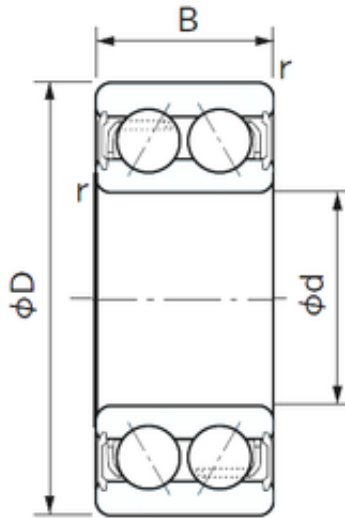




NTN Bearing Manufacturing



35 mm x 72 mm x 27 mm NACHI 5207A-2NS
angular contact ball bearings

Bearing No. 5207A-2NS

5207A-2NS Bearing 2D drawings and 3D CAD models

Size	35x72x27 mm
Bore Diameter	35 mm
Outer Diameter	72 mm
Width	27 mm
d	35 mm
D	72 mm
B	27 mm
C	27 mm
r min.	1.1 mm
Weight	0.430 Kg
Basic dynamic load rating (C)	33 kN
Basic static load rating (C0)	24,5 kN
Enclosure	Double Seal
Configuration	Double Row
Bore Type	Cylindrical Bore
Bore Size	35 mm
Outside Diameter	72 mm
Width	27 mm
Fillet Radius/Chamfer	1.1 mm
Dynamic Load Rating	33,000 N
Static Load Rating	24,500 N
Limiting Speed - Oil	6,000 rpm
Radial Clearance	0.006 to 0.020 mm
da	42 mm
Da	65 mm



NTN Bearing Manufacturing

ra	1 mm
----	------