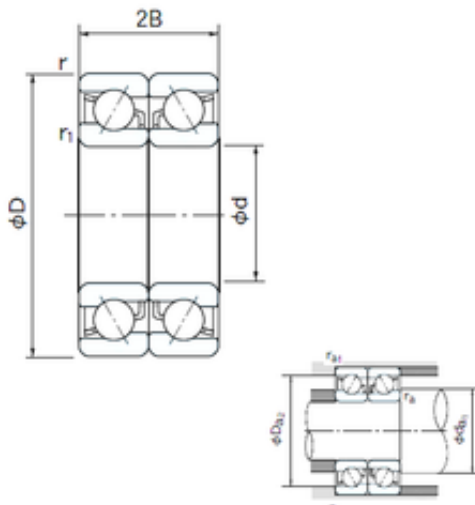




NTN Bearing Manufacturing



25 mm x 52 mm x 15 mm NACHI 7205DB
angular contact ball bearings

Bearing No. 7205DB

7205DB Bearing 2D drawings and 3D CAD models

Size	25x52x15 mm
Bore Diameter	25 mm
Outer Diameter	52 mm
Width	15 mm
d	25 mm
D	52 mm
B	15 mm
C	15 mm
Angle (°)	30 °
a	3.6 mm
r min.	1 mm
r1 min.	0.6 mm
2B	30 mm
da min.	28 mm
Da max.	48.4 mm
ra max.	0.6 mm
Weight	0.135 Kg
Basic dynamic load rating (C)	26,3 kN
Basic static load rating (C0)	20,5 kN
(Grease) Lubrication Speed	9500 r/min
Bore Type	Cylindrical Bore
Enclosure	Open
Configuration	Duplex
Bore Size	25 mm
Outside Diameter	52 mm



NTN Bearing Manufacturing

Width	15 mm
Fillet Radius/Chamfer	1 mm
r1	0.6 mm
Dynamic Load Rating	26,300 N
Static Load Rating	20,500 N
Limiting Speed - Grease	9,500 rpm
Limiting Speed - Oil	12,000 rpm
da1 (min)	31 mm
da2 (min)	28 mm
Da1 (max)	46 mm
Da2 (max)	48.4 mm
ra (max)	1 mm
ra1 (max)	0.6 mm