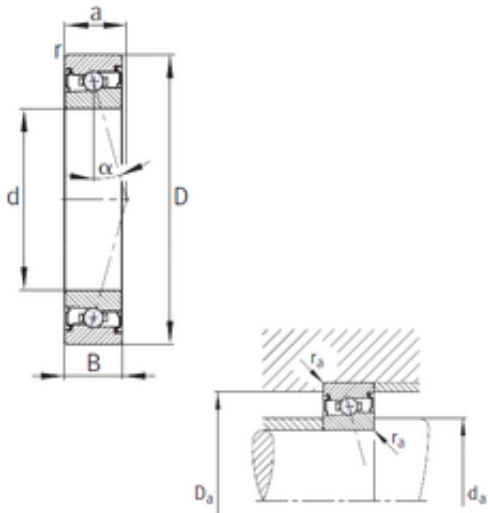




NTN Bearing Manufacturing



17 mm x 35 mm x 10 mm FAG HCS7003-C-T-P4S angular contact ball bearings

Bearing No. HCS7003-C-T-P4S

Size	17x35x10 mm
Bore Diameter	17 mm
Outer Diameter	35 mm
Width	10 mm
d	17 mm
D	35 mm
B	10 mm
C	10 mm
Angle (°)	15 °
a	9 mm
r min.	0,3 mm
Da	32 mm
ra max.	0,3 mm
da	21 mm
Weight	0,044 Kg
Basic dynamic load rating (C)	2,65 kN
Basic static load rating (C0)	1,84 kN
(Grease) Lubrication Speed	63 000 r/min

HCS7003-C-T-P4S Bearing 2D drawings and 3D CAD models