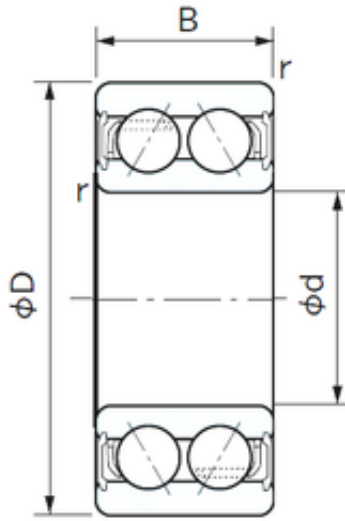




## NTN Bearing Manufacturing



17 mm x 40 mm x 17.5 mm NACHI 5203-2NS  
angular contact ball bearings

Bearing No. 5203-2NS

5203-2NS Bearing 2D drawings and 3D CAD models

Size	17x40x17.5 mm
Bore Diameter	17 mm
Outer Diameter	40 mm
Width	17.5 mm
d	17 mm
D	40 mm
B	17.5 mm
C	17.5 mm
r min.	0.6 mm
Weight	0.090 Kg
Basic dynamic load rating (C)	15 kN
Basic static load rating (C0)	9,25 kN
(Grease) Lubrication Speed	12000 r/min
Enclosure	Double Seal
Configuration	Double Row
Bore Type	Cylindrical Bore
Bore Size	17 mm
Outside Diameter	40 mm
Width	17.5 mm
Fillet Radius/Chamfer	0.6 mm
Dynamic Load Rating	15,000 N
Static Load Rating	9,250 N
Limiting Speed - Oil	12,000 rpm
Radial Clearance	0.003 to 0.018 mm
da	22 mm



## NTN Bearing Manufacturing

Da	35 mm
ra	0.6 mm