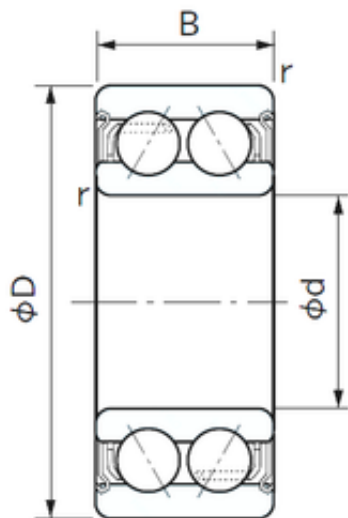




NTN Bearing Manufacturing



50 mm x 90 mm x 30.2 mm NACHI 5210AZZ
angular contact ball bearings

Bearing No. 5210AZZ

Size	50x90x30.2 mm
Bore Diameter	50 mm
Outer Diameter	90 mm
Width	30.2 mm
d	50 mm
D	90 mm
B	30.2 mm
C	30.2 mm
r min.	1.1 mm
Weight	0.670 Kg
Basic dynamic load rating (C)	42 kN
Basic static load rating (C0)	36,5 kN
Enclosure	Double Shield
Configuration	Double Row
Bore Type	Cylindrical Bore
Bore Size	50 mm
Outside Diameter	90 mm
Width	30.2 mm
Fillet Radius/Chamfer	1.1 mm
Dynamic Load Rating	42,000 N
Static Load Rating	36,500 N
Limiting Speed - Oil	4,500 rpm
Radial Clearance	0.006 to 0.023 mm
da	57 mm
Da	83 mm

5210AZZ Bearing 2D drawings and 3D CAD models



NTN Bearing Manufacturing

ra	1 mm
----	------