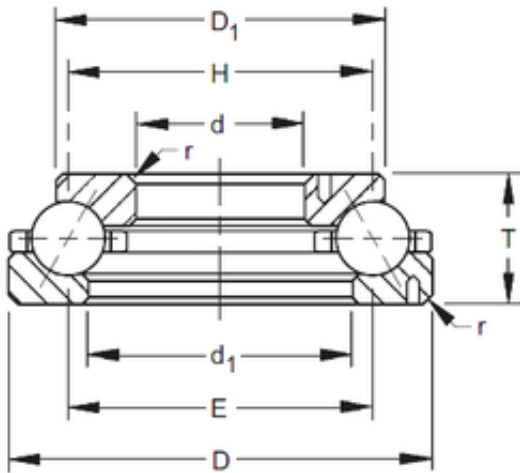




# NTN Bearing Manufacturing



## Timken 200TVL850 angular contact ball bearings

Bearing No. 200TVL850

Size	508x704.85x117.475 mm
Bore Diameter	508 mm
Outer Diameter	704,85 mm
Width	117,475 mm
d	508 mm
D	704,85 mm
T	117,475 mm
d1	565,15 mm
D1	628,68 mm
E	606,4 mm
H	606,4 mm

200TVL850 Bearing 2D drawings and 3D CAD models