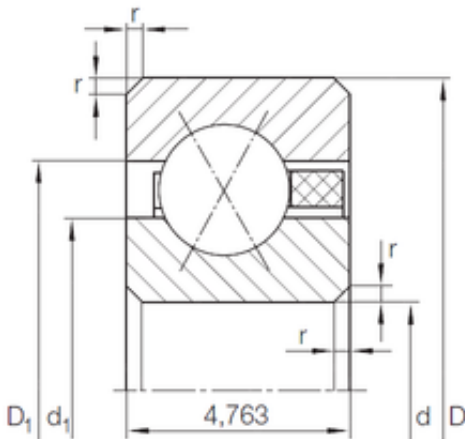




NTN Bearing Manufacturing

25,4 mm x 34,925 mm x 4,763 mm INA CSXAA 010 TN angular contact ball bearings

Bearing No. CSXAA 010 TN



CSXAA 010 TN Bearing 2D drawings and 3D CAD models

Size	25.4x34.925x4.763 mm
Bore Diameter	25,4 mm
Outer Diameter	34,925 mm
Width	4,763 mm
d	25,4 mm
D	34,925 mm
B	4,763 mm
C	4,763 mm
d1	29 mm
r min.	0,38 mm
D1	31,4 mm
Weight	0,01 Kg
Basic dynamic load rating (C)	2500 kN
Basic static load rating (C0)	1900 kN