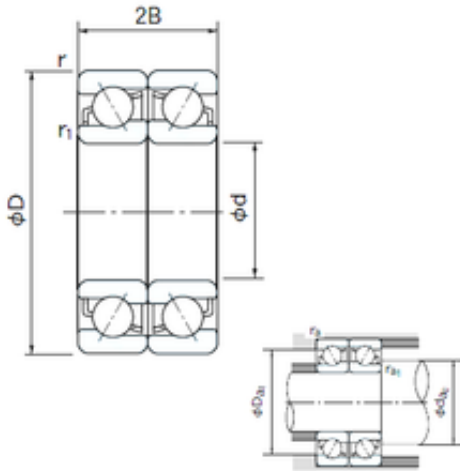




NTN Bearing Manufacturing



7338DF Bearing 2D drawings and 3D CAD models

190 mm x 400 mm x 78 mm NACHI 7338DF
angular contact ball bearings

Bearing No. 7338DF

Size	190x400x78 mm
Bore Diameter	190 mm
Outer Diameter	400 mm
Width	78 mm
d	190 mm
D	400 mm
B	78 mm
C	78 mm
Angle (°)	30 °
a	46.1 mm
r min.	5 mm
r1 min.	2 mm
2B	156 mm
da min.	200 mm
Da max.	390 mm
ra max.	2 mm
Weight	47.6 Kg
Basic dynamic load rating (C)	725 kN
Basic static load rating (C0)	1220 kN
(Grease) Lubrication Speed	1100 r/min
Bore Type	Cylindrical Bore
Enclosure	Open
Configuration	Duplex
Bore Size	190 mm
Outside Diameter	400 mm



NTN Bearing Manufacturing

Width	78 mm
Fillet Radius/Chamfer	5 mm
r1	2 mm
Dynamic Load Rating	725,000 N
Static Load Rating	1,220,000 N
Limiting Speed - Grease	1,100 rpm
Limiting Speed - Oil	1,500 rpm
da1 (min)	212 mm
da2 (min)	200 mm
Da1 (max)	378 mm
Da2 (max)	390 mm
ra (max)	4 mm
ra1 (max)	2 mm