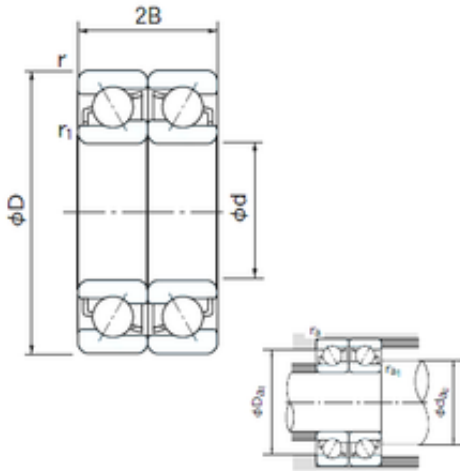




NTN Bearing Manufacturing



190 mm x 340 mm x 55 mm NACHI 7238BDF
angular contact ball bearings

Bearing No. 7238BDF

7238BDF Bearing 2D drawings and 3D CAD models

Size	190x340x55 mm
Bore Diameter	190 mm
Outer Diameter	340 mm
Width	55 mm
d	190 mm
D	340 mm
B	55 mm
C	55 mm
Angle (°)	40 °
a	83.7 mm
r min.	4 mm
r1 min.	1.5 mm
2B	110 mm
da min.	199 mm
Da max.	331 mm
ra max.	1.5 mm
Weight	21.5 Kg
Basic dynamic load rating (C)	475 kN
Basic static load rating (C0)	770 kN
(Grease) Lubrication Speed	1100 r/min
Bore Type	Cylindrical Bore
Enclosure	Open
Configuration	Duplex
Bore Size	190 mm
Outside Diameter	340 mm



NTN Bearing Manufacturing

Width	55 mm
Fillet Radius/Chamfer	4 mm
r1	1.5 mm
Dynamic Load Rating	475,000 N
Static Load Rating	770,000 N
Limiting Speed - Grease	1,100 rpm
Limiting Speed - Oil	1,600 rpm
da1 (min)	208 mm
da2 (min)	199 mm
Da1 (max)	322 mm
Da2 (max)	331 mm
ra (max)	3 mm
ra1 (max)	1.5 mm