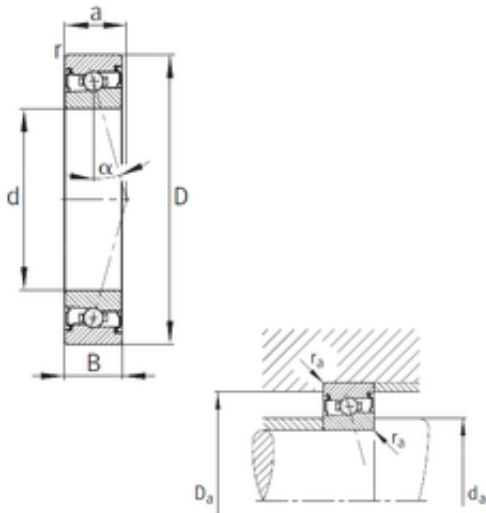




NTN Bearing Manufacturing



65 mm x 100 mm x 18 mm FAG HCS7013-C-T-P4S angular contact ball bearings

Bearing No. HCS7013-C-T-P4S

Size	65x100x18 mm
Bore Diameter	65 mm
Outer Diameter	100 mm
Width	18 mm
d	65 mm
D	100 mm
B	18 mm
C	18 mm
Angle (°)	15 °
a	20 mm
r min.	1,1 mm
Da	93 mm
ra max.	1 mm
da	72 mm
Weight	0,402 Kg
Basic dynamic load rating (C)	13,8 kN
Basic static load rating (C0)	15 kN
(Grease) Lubrication Speed	20 000 r/min

HCS7013-C-T-P4S Bearing 2D drawings and 3D CAD models