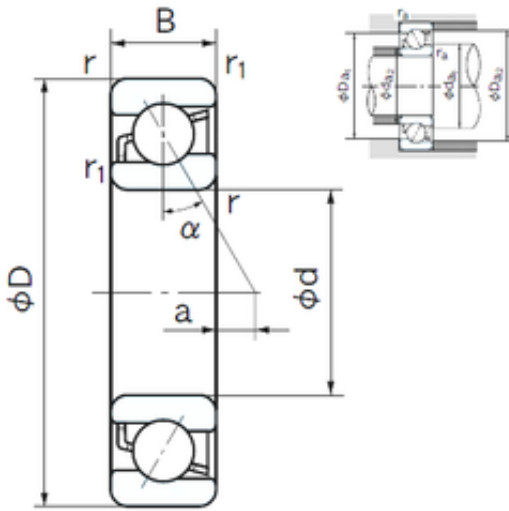




NTN Bearing Manufacturing



7318B Bearing 2D drawings and 3D CAD models

90 mm x 190 mm x 43 mm NACHI 7318B
angular contact ball bearings

Bearing No. 7318B

Size	90x190x43 mm
Bore Diameter	90 mm
Outer Diameter	190 mm
Width	43 mm
d	90 mm
D	190 mm
B	43 mm
C	43 mm
Angle (°)	40 °
a	37.3 mm
r min.	3 mm
r1 min.	1.1 mm
da min.	104 mm
Da max.	176 mm
ra max.	2.5 mm
Weight	5.76 Kg
Basic dynamic load rating (C)	161 kN
Basic static load rating (C0)	139 kN
(Grease) Lubrication Speed	2800 r/min
Configuration	Single Row
Enclosure	Open
Bore Type	Cylindrical Bore
Bore Size	90 mm
Outside Diameter	190 mm
Width	43 mm



NTN Bearing Manufacturing

Fillet Radius/Chamfer	3 mm
r1	1.1 mm
Dynamic Load Rating	161,000 N
Static Load Rating	139,000 N
Limiting Speed - Grease	2,800 rpm
Limiting Speed - Oil	3,800 rpm
da1 (min)	104 mm
da2 (min)	97 mm
Da1 (max)	176 mm
Da2 (max)	183 mm
ra (max)	2.5 mm
ra1 (max)	1 mm