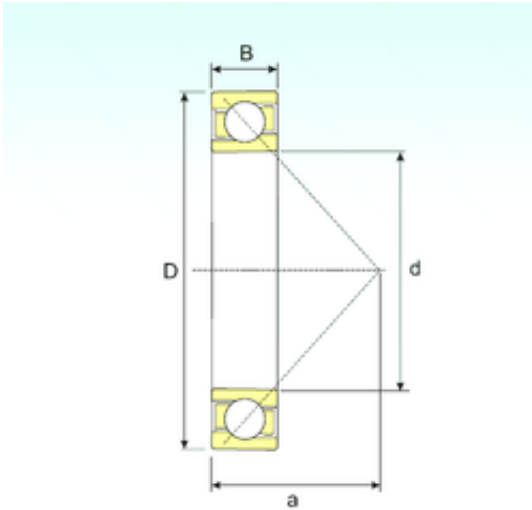




## NTN Bearing Manufacturing



7209 B Bearing 2D drawings and 3D CAD models

45 mm x 85 mm x 19 mm ISB 7209 B angular contact ball bearings

Bearing No. 7209 B

Size	45x85x19 mm
Bore Diameter	45 mm
Outer Diameter	85 mm
Width	19 mm
d	45 mm
D	85 mm
B	19 mm
C	19 mm
a	37 mm
Weight	0,43 Kg
Basic dynamic load rating (C)	36,95 kN
Basic static load rating (C0)	27,44 kN
(Grease) Lubrication Speed	6885 r/min