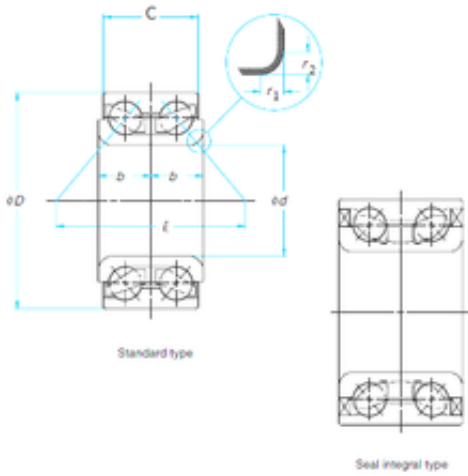




NTN Bearing Manufacturing

30 mm x 64 mm x 42 mm CYSD DAC3064042
angular contact ball bearings



Bearing No. DAC3064042

Size	30x64x42 mm
Bore Diameter	30 mm
Outer Diameter	64 mm
Width	42 mm
d	30 mm
D	64 mm
B	42 mm
C	42 mm

DAC3064042 Bearing 2D drawings and 3D CAD models