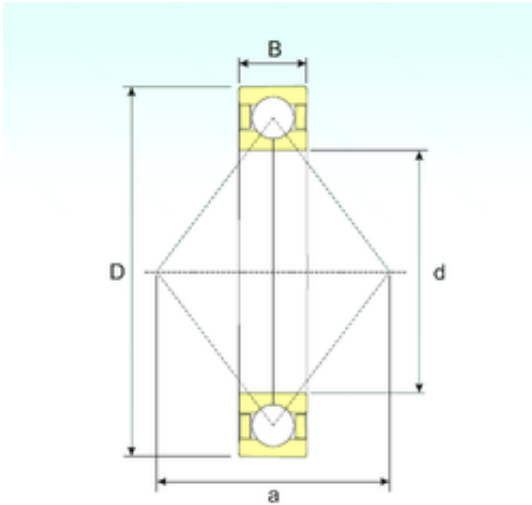




## NTN Bearing Manufacturing



95 mm x 200 mm x 45 mm ISB QJ 319 N2 M  
angular contact ball bearings

Bearing No. QJ 319 N2 M

Size	95x200x45 mm
Bore Diameter	95 mm
Outer Diameter	200 mm
Width	45 mm
d	95 mm
D	200 mm
B	45 mm
C	45 mm
a	103 mm
Weight	7,45 Kg
Basic dynamic load rating (C)	298 kN
Basic static load rating (C0)	333 kN
(Grease) Lubrication Speed	4590 r/min

QJ 319 N2 M Bearing 2D drawings and 3D CAD models