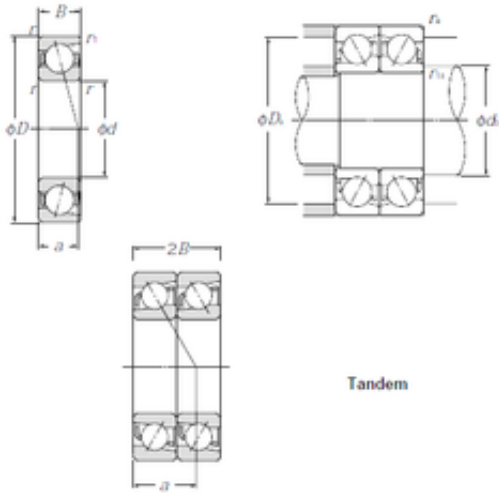




# NTN Bearing Manufacturing



65 mm x 100 mm x 18 mm CYSD 7013CDT  
angular contact ball bearings

Bearing No. 7013CDT

Size	65x100x18 mm
Bore Diameter	65 mm
Outer Diameter	100 mm
Width	18 mm
d	65 mm
D	100 mm
B	18 mm
C	18 mm
Angle ( )	15 °
r min.	1,1 mm
2B	36 mm
Weight	0,842 Kg
Basic dynamic load rating (C)	60,5 kN
Basic static load rating (C0)	68,5 kN
(Grease) Lubrication Speed	7800 r/min

7013CDT Bearing 2D drawings and 3D CAD models