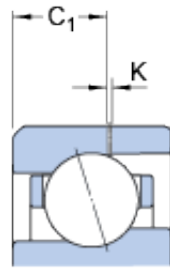
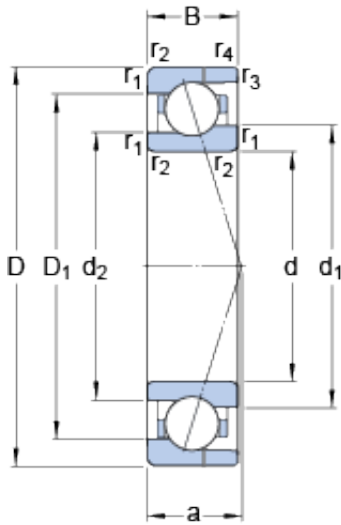




NTN Bearing Manufacturing



20 mm x 37 mm x 9 mm SKF 71904 CE/P4AH
angular contact ball bearings

Bearing No. 71904 CE/P4AH

71904 CE/P4AH Bearing 2D drawings and 3D CAD models

Size	37x20x9 mm
Bore Diameter	37 mm
Outer Diameter	20 mm
Width	9 mm
d	20 mm
D	37 mm
B	9 mm
d ₁	25.65 mm
d ₂	24.4 mm
D ₁	31.49 mm
K	0.5 mm
C ₁	5.45 mm
r _{1,2} - min.	0.3 mm
r _{3,4} - min.	0.15 mm
a	8.5 mm
d _a - min.	22 mm
d _b - min.	22 mm
D _a - max.	35 mm
D _b - max.	36.2 mm
r _a - max.	0.3 mm
r _b - max.	0.15 mm
d _n	26.7 mm
Basic dynamic load rating - C	4.9 kN
Basic static load rating - C ₀	2.4 kN



NTN Bearing Manufacturing

Fatigue load limit - P_u	0.102 kN
Limiting speed for grease lubrication	56000 r/min
Limiting speed for oil lubrication	88000 mm/min
Ball - D_w	4.762 mm
Ball - z	14
G_{ref}	0.5 cm ³
Calculation factor - f_0	7.8
Preload class A - G_A	26 N
Preload class B - G_B	79 N
Preload class C - G_C	157 N
Calculation factor - f	1.04
Calculation factor - f	1
Calculation factor - f_{2A}	1
Calculation factor - f_{2B}	1.04
Calculation factor - f_{2C}	1.08
Calculation factor - f_{HC}	1
Preload class A	18 N/micron
Preload class B	28 N/micron
Preload class C	39 N/micron
d_1	25.65 mm
d_2	24.4 mm
D_1	31.49 mm
C_1	5.45 mm
$r_{1,2}$ min.	0.3 mm
$r_{3,4}$ min.	0.15 mm
d_a min.	22 mm
d_b min.	22 mm
D_a max.	35 mm
D_b max.	36.2 mm



NTN Bearing Manufacturing

r_a max.	0.3 mm
r_b max.	0.15 mm
d_n	26.7 mm
Basic dynamic load rating C	4.88 kN
Basic static load rating C_0	2.4 kN
Fatigue load limit P_u	0.102 kN
Attainable speed for grease lubrication	56000 r/min
Attainable speed for oil-air lubrication	88000 r/min
Ball diameter D_w	4.762 mm
Number of balls z	14
Reference grease quantity G_{ref}	0.5 cm ³
Preload class A G_A	26 N
Static axial stiffness, preload class A	18 N/ μ m
Preload class B G_B	79 N
Static axial stiffness, preload class B	28 N/ μ m
Preload class C G_C	157 N
Static axial stiffness, preload class C	39 N/ μ m
Calculation factor f	1.04
Calculation factor f_1	1
Calculation factor f_{2A}	1
Calculation factor f_{2B}	1.04
Calculation factor f_{2C}	1.08
Calculation factor f_{HC}	1
Calculation factor f_0	7.8
Mass bearing	0.036 kg