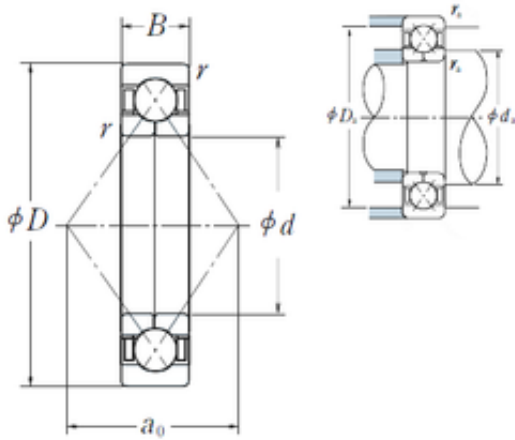




NTN Bearing Manufacturing



190 mm x 400 mm x 78 mm NSK QJ 338
angular contact ball bearings

Bearing No. QJ 338

Size	190x400x78 mm
Bore Diameter	190 mm
Outer Diameter	400 mm
Width	78 mm
d	190 mm
D	400 mm
B	78 mm
C	78 mm
Angle (°)	35 °
a	206,6 mm
r min.	5 mm
da min.	212 mm
da max	378 mm
ra max.	4 mm
Weight	54,5 Kg
Basic dynamic load rating (C)	655 kN
Basic static load rating (C0)	1980 kN
(Grease) Lubrication Speed	1 300 r/min

QJ 338 Bearing 2D drawings and 3D CAD models