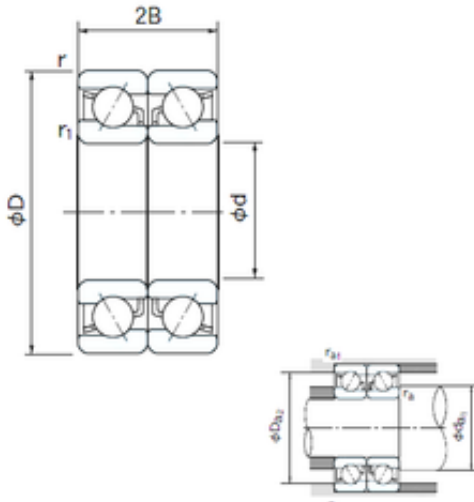




# NTN Bearing Manufacturing



7018DB Bearing 2D drawings and 3D CAD models

90 mm x 140 mm x 24 mm NACHI 7018DB  
angular contact ball bearings

Bearing No. 7018DB

Size	90x140x24 mm
Bore Diameter	90 mm
Outer Diameter	140 mm
Width	24 mm
d	90 mm
D	140 mm
B	24 mm
C	24 mm
Angle ( ° )	30 °
a	21.2 mm
r min.	1.5 mm
r1 min.	1 mm
2B	48 mm
da min.	97 mm
Da max.	135.6 mm
ra max.	1 mm
Weight	1.26 Kg
Basic dynamic load rating (C)	106 kN
Basic static load rating (C0)	126 kN
(Grease) Lubrication Speed	3200 r/min
Bore Type	Cylindrical Bore
Enclosure	Open
Configuration	Duplex
Bore Size	90 mm
Outside Diameter	140 mm



## NTN Bearing Manufacturing

Width	24 mm
Fillet Radius/Chamfer	1.5 mm
r1	1 mm
Dynamic Load Rating	106,000 N
Static Load Rating	126,000 N
Limiting Speed - Grease	3,200 rpm
Limiting Speed - Oil	4,200 rpm
da1 (min)	97 mm
da2 (min)	97 mm
Da1 (max)	133 mm
Da2 (max)	135.6 mm
ra (max)	1.5 mm
ra1 (max)	1 mm