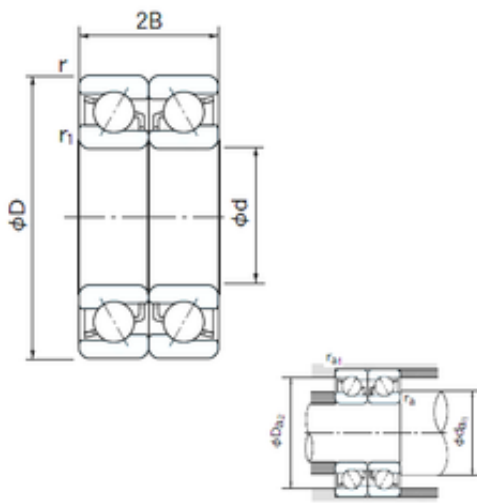




NTN Bearing Manufacturing



7034DB Bearing 2D drawings and 3D CAD models

170 mm x 260 mm x 42 mm NACHI 7034DB
angular contact ball bearings

Bearing No. 7034DB

Size	170x260x42 mm
Bore Diameter	170 mm
Outer Diameter	260 mm
Width	42 mm
d	170 mm
D	260 mm
B	42 mm
C	42 mm
Angle (°)	30 °
a	41.1 mm
r min.	2.1 mm
r1 min.	1.1 mm
2B	84 mm
da min.	179 mm
Da max.	254 mm
ra max.	1 mm
Weight	7.87 Kg
Basic dynamic load rating (C)	291 kN
Basic static load rating (C0)	420 kN
(Grease) Lubrication Speed	1600 r/min
Bore Type	Cylindrical Bore
Enclosure	Open
Configuration	Duplex
Bore Size	170 mm
Outside Diameter	260 mm



NTN Bearing Manufacturing

Width	42 mm
Fillet Radius/Chamfer	2.1 mm
r1	1.1 mm
Dynamic Load Rating	291,000 N
Static Load Rating	420,000 N
Limiting Speed - Grease	1,600 rpm
Limiting Speed - Oil	2,100 rpm
da1 (min)	179 mm
da2 (min)	179 mm
Da1 (max)	251 mm
Da2 (max)	254 mm
ra (max)	2 mm
ra1 (max)	1 mm