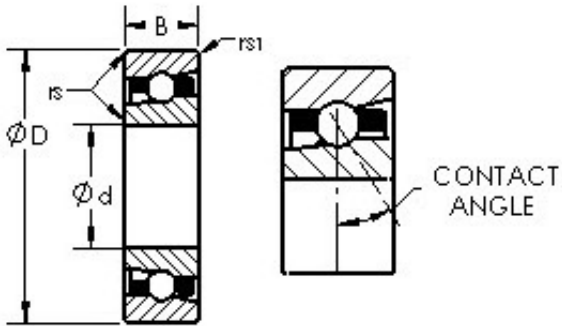




NTN Bearing Manufacturing

AST H71930AC angular contact ball bearings



Bearing No. H71930AC

Size	150x210x28 mm
Bore Diameter	150 mm
Outer Diameter	210 mm
Width	28 mm
Bearing Type	25 deg contact, high speed
Bore Dia (d)	150.0000
Outer Dia (D)	210.0000
Width (B)	28.0000
Radius (min) (rs)	2.000
Dynamic Load Rating (Cr)	61,500
Static Load Rating (Cor)	68,700
Max Speed (Grease) (X1000 RPM)	6
Max Speed (Oil) (X1000 RPM)	9
Radius (min) (rs1)	1.000
Material	52100 Chrome steel (or equivalent)

H71930AC Bearing 2D drawings and 3D CAD models