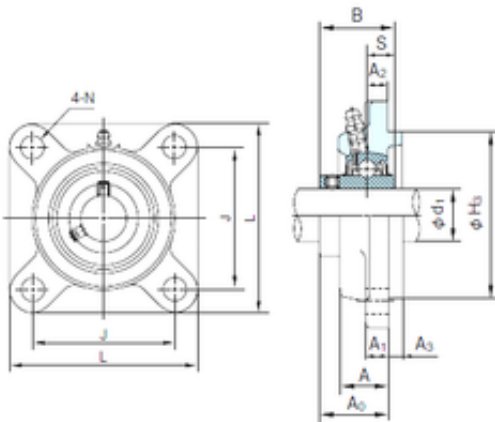




NTN Bearing Manufacturing

NACHI UCFS328 bearing units

Bearing No. UCFS328



UCFS328 Bearing 2D drawings and 3D CAD models

Bore Diameter	140 mm
d1	140 mm
H3	400 mm
A0	131 mm
A	95 mm
A1	55 mm
B	145 mm
J	350 mm
L	450 mm
N	41 mm
S	59 mm
Bolt (G)	M36
A2	45 mm
A3	30 mm