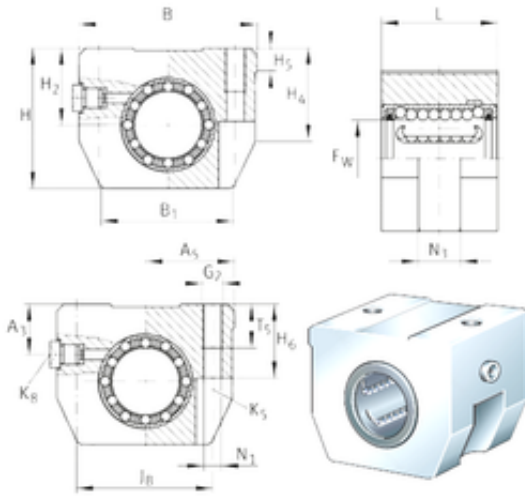




# NTN Bearing Manufacturing

## INA KGHK06-B-PP-AS bearing units

Bearing No. KGHK06-B-PP-AS



KGHK06-B-PP-AS Bearing 2D drawings and 3D CAD models

Bore Diameter	6 mm
Fw	6 mm
H4	20,6 mm
H5	5 mm
H6	13 mm
A5	16 mm
B	32 mm
B1	25 mm
H	27 mm
H2	13 mm
L	22,2 mm
N1	3,4 mm
A3	9 mm
N2	7 mm
Thread (G2)	M4
JB	23 mm
T5	9 mm
Thread (K5)	M3
Weight	0,04 Kg
Basic dynamic load rating (C)	0,34 kN