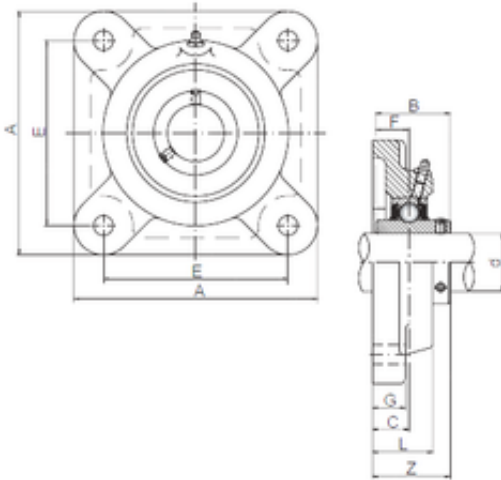




NTN Bearing Manufacturing



ISO UCF308 bearing units

Bearing No. UCF308

Bore Diameter	40 mm
Width	52 mm
d	40 mm
Z	56 mm
A	150 mm
B	52 mm
C	23 mm
E	112 mm
F	19 mm
G	17 mm
L	40 mm
S	19 mm
Bolt (G)	M16

UCF308 Bearing 2D drawings and 3D CAD models