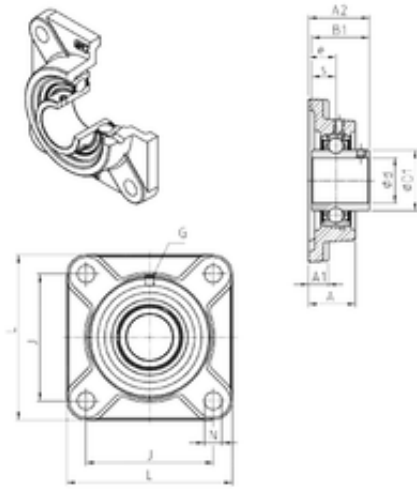




NTN Bearing Manufacturing



SNR UCF308 bearing units

Bearing No. UCF308

Bore Diameter	40 mm
d	40 mm
e	23 mm
s	19 mm
A	40 mm
A1	17 mm
B1	52 mm
D1	56,5 mm
J	112 mm
L	150 mm
N	19 mm
Thread (G)	M6x1
A2	56 mm
Weight	2,7 Kg
Basic dynamic load rating (C)	40,56 kN

UCF308 Bearing 2D drawings and 3D CAD models