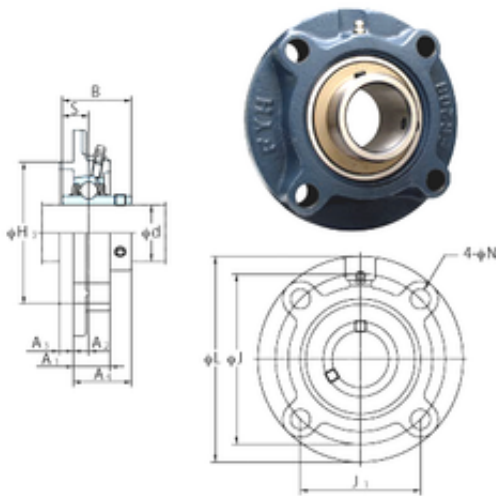




NTN Bearing Manufacturing

FYH UCFC210-32 bearing units

Bearing No. UCFC210-32



UCFC210-32 Bearing 2D drawings and 3D CAD models

Bore Diameter	50,8 mm
d	50,8 mm
H3	110 mm
A4	42,6 mm
A1	28 mm
B	51,6 mm
J	138 mm
L	165 mm
N	16 mm
S	19 mm
Bolt (G)	M14
A2	10 mm
A3	12 mm
J1	97,6 mm
Weight	2,9 Kg
Basic dynamic load rating (C)	35,1 kN
Basic static load rating (C0)	23,3 kN