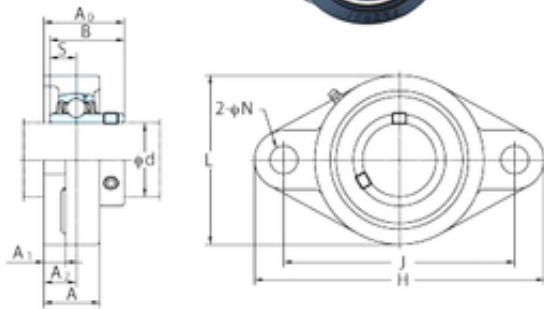




NTN Bearing Manufacturing

FYH UCFL208-24 bearing units

Bearing No. UCFL208-24



UCFL208-24 Bearing 2D drawings and 3D CAD models

Bore Diameter	38,1 mm
d	38,1 mm
A0	51,2 mm
A	36 mm
A1	14 mm
B	49,2 mm
H	175 mm
J	144 mm
L	100 mm
N	16 mm
S	19 mm
Bolt (G)	14
Bolt (G)	M14
A2	21 mm
Weight	1,6 Kg
Basic static load rating (C0)	29,1 kN