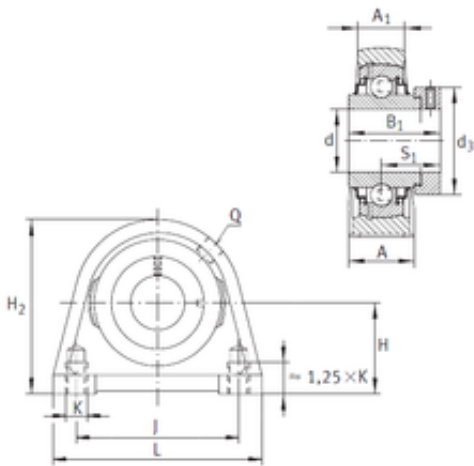




NTN Bearing Manufacturing

INA RSHE50-N bearing units

Bearing No. RSHE50-N



RSHE50-N Bearing 2D drawings and 3D CAD models

Bore Diameter	50 mm
d	50 mm
Thread (Q)	Rp1/8
Thread (K)	M16
d3	69 mm
A	54 mm
A1	34 mm
B1	62,8 mm
H	57,2 mm
H2	115 mm
J	101,6 mm
L	135 mm
S	38,2 mm
Weight	3,02 Kg
Basic dynamic load rating (C)	35 kN
Category	Pillow Block Bearings
Inventory	0.0
Manufacturer Name	SCHAEFFLER GROUP
Minimum Buy Quantity	N/A
Weight / Kilogram	3.616
EAN	4012802835854
Product Group	M06110
Number of Mounting Holes	2
Mounting Method	Eccentric Collar
Housing Style	2 Bolt Tap Base Pillow Block
Rolling Element	Ball Bearing



NTN Bearing Manufacturing

Housing Material	Cast Iron
Expansion / Non-expansion	Non-expansion
Mounting Bolts	16 Millimeter
Relubricatable	Yes
Insert Part Number	GE50KRRB
Seals	Double Land Riding Rubber Contact
Housing Configuration	1 Piece Solid
Inch - Metric	Metric
Other Features	Single Row With Set Screw
Long Description	2 Bolt Tap Base Pillow Block; 50MM Bore; 57.2MM Base to Center Height; Eccentric Collar Mount; Ball Bearing; Relubricatable; Cast Iron; Double Land Riding Rubber Contact; Non-expansion
Category	Pillow Block
UNSPSC	31171511
Harmonized Tariff Code	8483.20.40.40
Noun	Bearing
Keyword String	Pillow Block
Manufacturer URL	http://www.ina.com
Manufacturer Item Number	RSHE50N
Weight / LBS	6.659
Actual Bolt Center to Center	4 Inch 102Millimeter
Bolt Spacing Minimum	0 Inch 0Millimeter
Bore	1.969 Inch 50 Millimeter
Base to Center Height	2.252 Inch 57.2 Millimeter
Nominal Bolt Center to Center	4 Inch 101.6 Millimeter
Length Thru Bore	2.469 Inch 62.7 Millimeter



NTN Bearing Manufacturing

Bolt Spacing Maximum

0 Inch 0Millimeter
