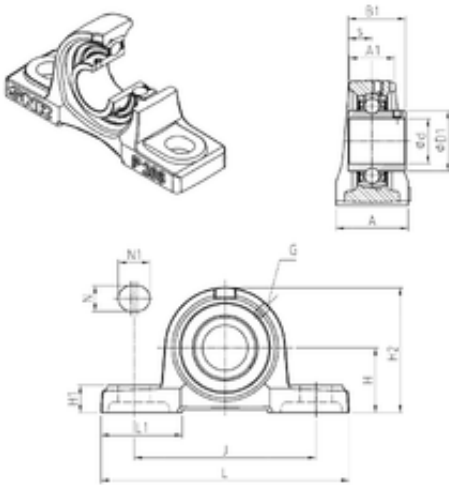




NTN Bearing Manufacturing



UCP326 Bearing 2D drawings and 3D CAD models

SNR UCP326 bearing units

Bearing No. UCP326

Bore Diameter	130 mm
d	130 mm
s	54 mm
A	140 mm
A1	94 mm
B1	135 mm
D1	177 mm
H	180 mm
H1	75 mm
H2	355 mm
J	480 mm
L	600 mm
L1	140 mm
N	40 mm
N1	55 mm
Thread (G)	M10x1
Weight	75 Kg
Basic dynamic load rating (C)	252 kN