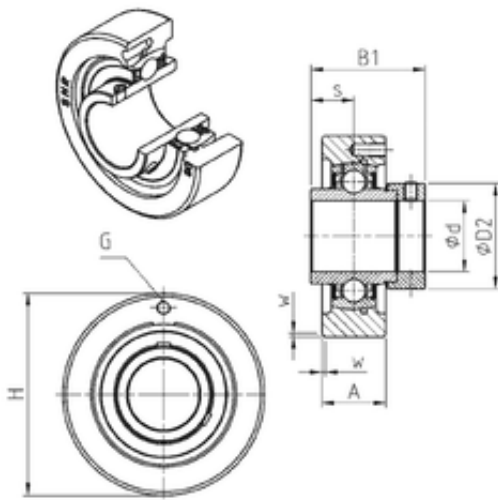




NTN Bearing Manufacturing



SNR EXC206 bearing units

Bearing No. EXC206

Bore Diameter	30 mm
d	30 mm
s	18,2 mm
A	27 mm
B1	48,3 mm
D2	44,5 mm
H	85 mm
W	1,5 mm
Thread (G)	M6x1
Weight	1,1 Kg
Basic dynamic load rating (C)	19,5 kN
B	36.4 mm
A3	1.5 mm
A5	18.2 mm
d1	44.1 mm
G	M6x1
s1	34.1 mm
S	18.2 mm
SW	4 mm
C	19.5 kN
C0	11.2 kN
T min.	-20 ° C
T max.	100 ° C
Recommended tightening torque for set screw	11.5 Nm
Designation of housing	C206-

EXC206 Bearing 2D drawings and 3D CAD models



NTN Bearing Manufacturing

Designation of bearing	EX206G2
------------------------	---------