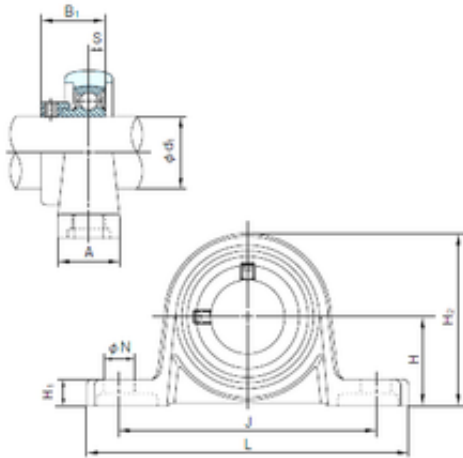




NTN Bearing Manufacturing

NACHI MUP002 bearing units



Bearing No. MUP002

Bore Diameter	15 mm
Width	22 mm
d	15 mm
A	16 mm
B1	18.5 mm
H	22 mm
H1	7 mm
H2	43 mm
J	63 mm
L	80 mm
N	7 mm
S	4.5 mm
Bolt (G)	M 6

MUP002 Bearing 2D drawings and 3D CAD models