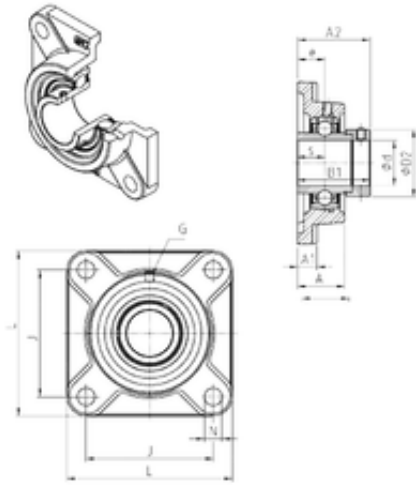




# NTN Bearing Manufacturing



## SNR EXF205 bearing units

Bearing No. EXF205

Bore Diameter	25 mm
d	25 mm
e	16 mm
s	17,4 mm
A	27 mm
A1	13 mm
B1	44,3 mm
D2	38,1 mm
J	70 mm
L	95 mm
N	12 mm
Thread (G)	M6x1
A2	42,9 mm
Weight	0,9 Kg
Basic dynamic load rating (C)	14 kN

EXF205 Bearing 2D drawings and 3D CAD models