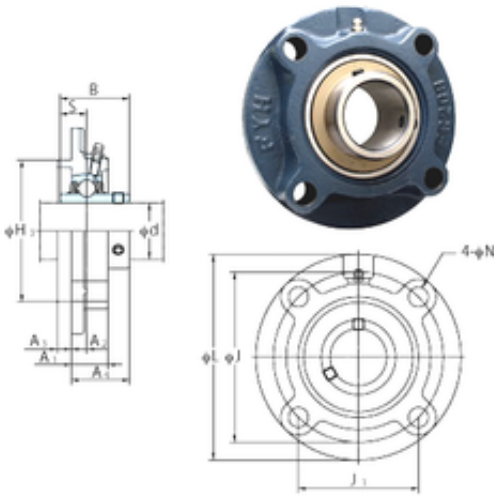




NTN Bearing Manufacturing

FYH UCFCX05 bearing units

Bearing No. UCFCX05



UCFCX05 Bearing 2D drawings and 3D CAD models

Bore Diameter	25 mm
d	25 mm
H3	76 mm
A4	32,2 mm
A1	24 mm
B	38,1 mm
J	92 mm
L	111 mm
N	9,5 mm
S	15,9 mm
Bolt (G)	M8
A2	10 mm
A3	6 mm
J1	65 mm
Weight	1,2 Kg
Basic dynamic load rating (C)	19,5 kN
Basic static load rating (C0)	11,3 kN
Category	Mounted Units & Inserts
Inventory	0.0
Manufacturer Name	FYH BEARING UNITS
Minimum Buy Quantity	N/A
Weight / Kilogram	0
Product Group	M06110