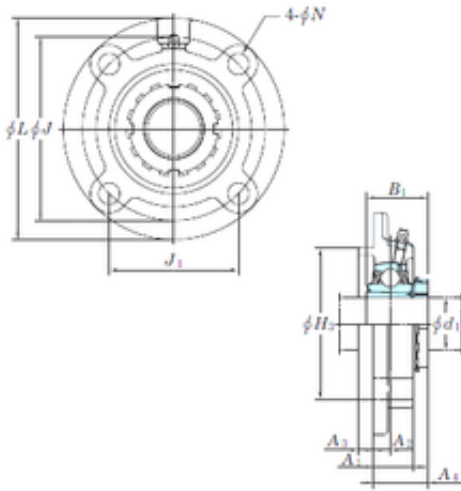




# NTN Bearing Manufacturing



## KOYO UKFC216 bearing units

Bearing No. UKFC216

Bore Diameter	70 mm
d	70 mm
H3	170 mm
A4	56 mm
A1	42 mm
B1	59 mm
J	200 mm
L	240 mm
N	23 mm
Bolt (G)	M20
A2	18 mm
A3	16 mm
J1	141,4 mm
Weight	9 Kg
Basic dynamic load rating (C)	72,7 kN
Basic static load rating (C0)	53 kN

UKFC216 Bearing 2D drawings and 3D CAD models