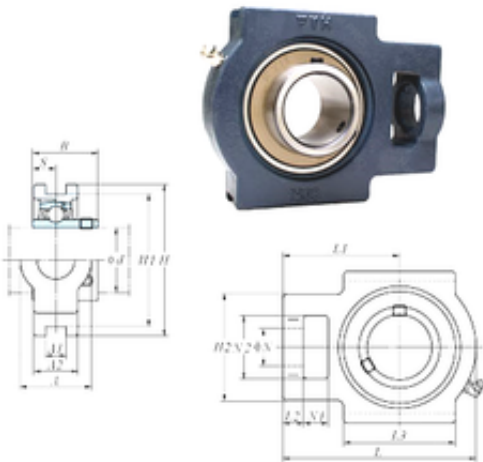




NTN Bearing Manufacturing

FYH UCT208-24E bearing units



Bearing No. UCT208-24E

Bore Diameter	38,1 mm
d	38,1 mm
L2	16 mm
L3	83 mm
A	49 mm
A1	17,5 mm
B	49,2 mm
H	114 mm
H1	101,6 mm
H2	83 mm
L	144 mm
L1	88 mm
N	29 mm
N1	19 mm
S	19 mm
A2	33 mm
N2	49 mm
Weight	2,5 Kg
Basic dynamic load rating (C)	29,1 kN
Basic static load rating (C0)	17,8 kN

UCT208-24E Bearing 2D drawings and 3D CAD models