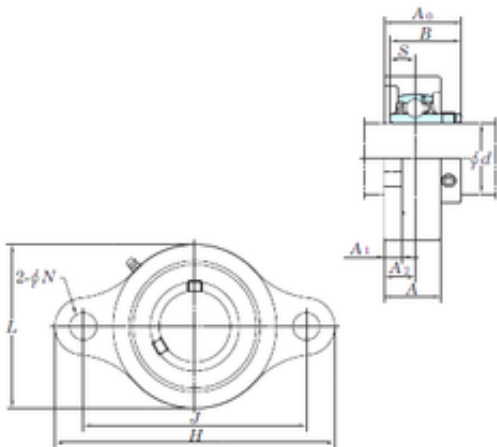




NTN Bearing Manufacturing

KOYO UCSFL208H1S6 bearing units

Bearing No. UCSFL208H1S6



UCSFL208H1S6 Bearing 2D drawings and 3D CAD models

Bore Diameter	40 mm
d	40 mm
A0	51,2 mm
A	36 mm
A1	12 mm
B	49,2 mm
H	175 mm
J	144 mm
L	94 mm
N	16 mm
S	19 mm
Bolt (G)	M14
A2	21 mm
Weight	1,5 Kg
Basic dynamic load rating (C)	24,8 kN
Basic static load rating (C0)	14,3 kN
Bearing No.	UCSFL208H1S6
Bolt size	M14
Cr	24.8
C0r	14.3
f0	14.0
(Refer.) Unit mass(kg)	1.5