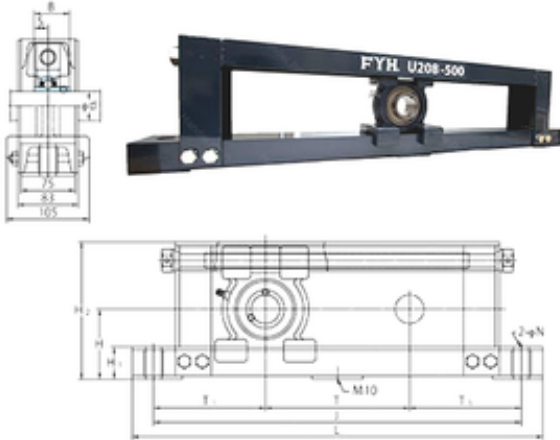




NTN Bearing Manufacturing

FYH UCTU318-700 bearing units



Bearing No. UCTU318-700

Bore Diameter	90 mm
Width	96 mm
d	90 mm
T1	245 mm
B	96 mm
H	170 mm
H1	55 mm
H2	335 mm
J	1190 mm
L	1250 mm
N	22 mm
S	40 mm
T	700 mm
Bolt (G)	M18
Weight	70 Kg
Basic dynamic load rating (C)	143 kN
Basic static load rating (C0)	107 kN

UCTU318-700 Bearing 2D drawings and 3D CAD models