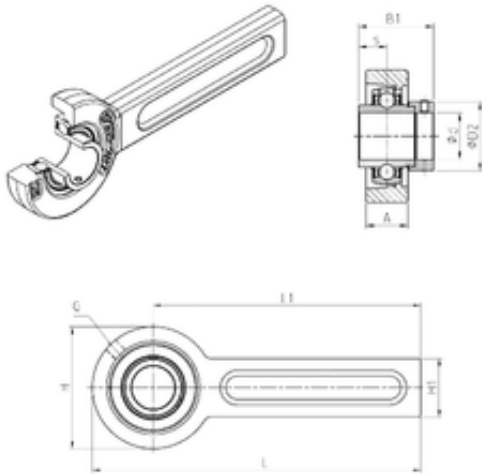




NTN Bearing Manufacturing



EXSP204 Bearing 2D drawings and 3D CAD models

SNR EXSP204 bearing units

Bearing No. EXSP204

Bore Diameter	20 mm
d	20 mm
s	17 mm
A	21 mm
B1	43,5 mm
D2	33,3 mm
H	78 mm
H1	41 mm
L	264 mm
L1	225 mm
Thread (G)	R1/8"
Weight	1,7 Kg
Basic dynamic load rating (C)	12,8 kN
B	34 mm
A5	17 mm
d1	32.4 mm
G	R1/8"
H2	41 mm
s1	30.5 mm
S	17 mm
SW	3 mm
C	12.8 kN
C0	6.65 kN
T min.	-20 ° C
T max.	100 ° C
Recommended tightening	5.5 Nm



NTN Bearing Manufacturing

torque for set screw	
Designation of housing	SP203-205/47-
Designation of bearing	EX204G2