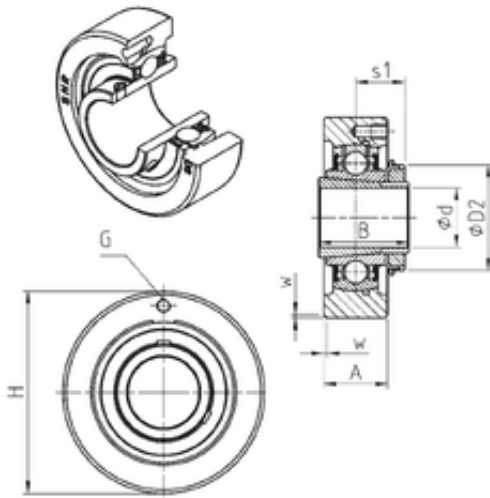




NTN Bearing Manufacturing

SNR UKC309H bearing units

Bearing No. UKC309H



UKC309H Bearing 2D drawings and 3D CAD models

Bore Diameter	40 mm
Width	50 mm
d	40 mm
s1	30 mm
A	38 mm
B	50 mm
D2	65 mm
H	130 mm
W	3,5 mm
Thread (G)	M6x1
Weight	3,1 Kg
Basic dynamic load rating (C)	53 kN