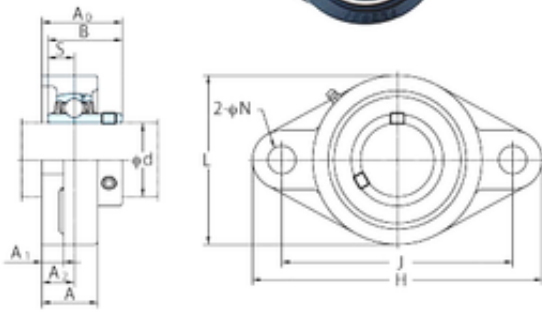




NTN Bearing Manufacturing

FYH UCFL312 bearing units

Bearing No. UCFL312



UCFL312 Bearing 2D drawings and 3D CAD models

Bore Diameter	60 mm
d	60 mm
A0	78 mm
A	56 mm
A1	22 mm
B	71 mm
H	270 mm
J	212 mm
L	160 mm
N	31 mm
S	26 mm
Bolt (G)	13,2
Bolt (G)	M27
A2	33 mm
Weight	6,5 Kg
Basic static load rating (C0)	81,9 kN