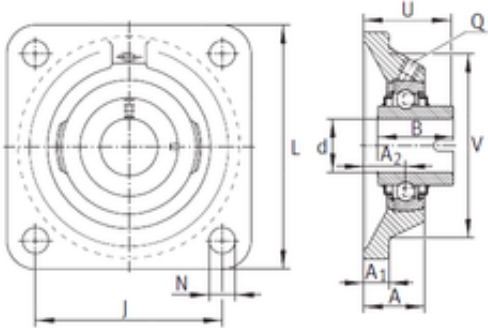




NTN Bearing Manufacturing

INA RCJL40-N bearing units



RCJL40-N Bearing 2D drawings and 3D CAD models

Bearing No. RCJL40-N

Bore Diameter	40 mm
d	40 mm
V	110 mm
U	51 mm
Thread (Q)	Rp1/8
A	34,5 mm
A1	13 mm
B	42,9 mm
J	101,5 mm
L	130 mm
N	14 mm
A2	24 mm
Weight	1,84 Kg
Basic dynamic load rating (C)	32,5 kN
Category	Bearings
Inventory	0.0
Manufacturer Name	SCHAEFFLER GROUP
Minimum Buy Quantity	N/A
Weight / Kilogram	1.86
Product Group	M06110