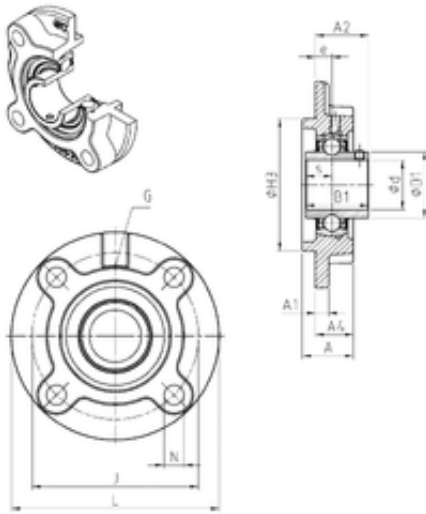




NTN Bearing Manufacturing



SNR UCFC218 bearing units

Bearing No. UCFC218

Bore Diameter	90 mm
d	90 mm
H3	190 mm
A4	50 mm
e	22 mm
s	39,7 mm
A	68 mm
A1	20 mm
B1	96 mm
D1	111 mm
J	220 mm
L	265 mm
N	23 mm
Thread (G)	M10x1
A2	78,3 mm
Weight	13,2 Kg
Basic dynamic load rating (C)	96 kN

UCFC218 Bearing 2D drawings and 3D CAD models