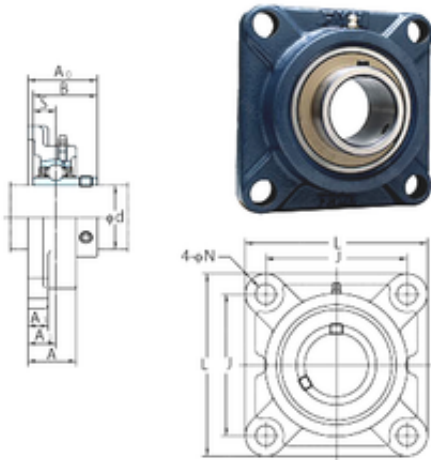




NTN Bearing Manufacturing

FYH UCF204-12E bearing units



Bearing No. UCF204-12E

Bore Diameter	19,05 mm
d	19,05 mm
A0	33,3 mm
A	25,5 mm
A1	11 mm
B	31 mm
J	64 mm
L	86 mm
N	11 mm
S	12,7 mm
Bolt (G)	3/8
A2	15 mm
Weight	0,59 Kg
Basic dynamic load rating (C)	12,8 kN
Basic static load rating (C0)	6,65 kN

UCF204-12E Bearing 2D drawings and 3D CAD models