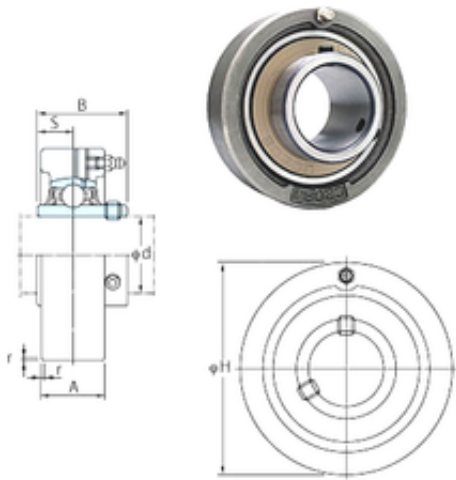




NTN Bearing Manufacturing



FYH UCC208 bearing units

Bearing No. UCC208

UCC208 Bearing 2D drawings and 3D CAD models

Bore Diameter	40 mm
Width	49,2 mm
d	40 mm
r	2 mm
A	30 mm
B	49,2 mm
H	100 mm
S	19 mm
Weight	1,2 Kg
Basic dynamic load rating (C)	29,1 kN
Basic static load rating (C0)	17,8 kN
Category	Cartridge Unit Bearings
Inventory	0.0
Manufacturer Name	FYH BEARING UNITS
Minimum Buy Quantity	N/A
Weight / Kilogram	1.2
Product Group	M06110
Mounting Method	Set Screw
Housing Style	Cartridge Unit
Housing Material	Cast Iron
Rolling Element	Ball Bearing
Expansion / Non-expansion	Non-expansion
Relubricatable	Yes
Insert Part Number	UC208
Seals	Single Lip Contact
Other Features	Single Row Normal Duty



NTN Bearing Manufacturing

	NBR Seal Has Slinger
Long Description	40MM Bore; 100MM Outside Diameter; 30MM Cartridge Housing Width; Set Screw; Cartridge Unit; Cast Iron; Ball Bearing; 49.2MM Length Thru Bore; Relubricatable; UC208 Insert; Single Lip Contact; Non-expa
Inch - Metric	Metric
Category	Mounted Cartridge Units
UNSPSC	31171535
Harmonized Tariff Code	8483.20.40.40
Noun	Bearing
Keyword String	Cartridge
Manufacturer URL	http://www.fyhbearings.com
Manufacturer Item Number	UCC208
Weight / LBS	2.646
Outside Diameter	3.938 Inch 100 Millimeter
Length Thru Bore	1.937 Inch 49.2 Millimeter
Bore	1.575 Inch 40 Millimeter
Cartridge Housing Width	1.181 Inch 30 Millimeter