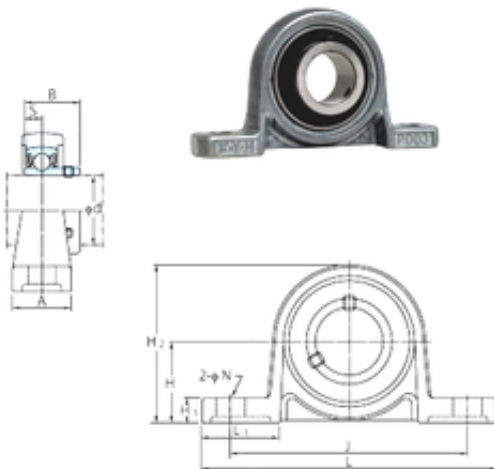




NTN Bearing Manufacturing

FYH UP004 bearing units

Bearing No. UP004



UP004 Bearing 2D drawings and 3D CAD models

Bore Diameter	20 mm
Width	21 mm
d	20 mm
A	20 mm
B	21 mm
H	28 mm
H1	9 mm
H2	55 mm
J	80 mm
L	100 mm
L1	25 mm
N	10 mm
S	7 mm
Bolt (G)	M8
Weight	0,23 Kg
Basic dynamic load rating (C)	9,4 kN
Basic static load rating (C0)	5,05 kN