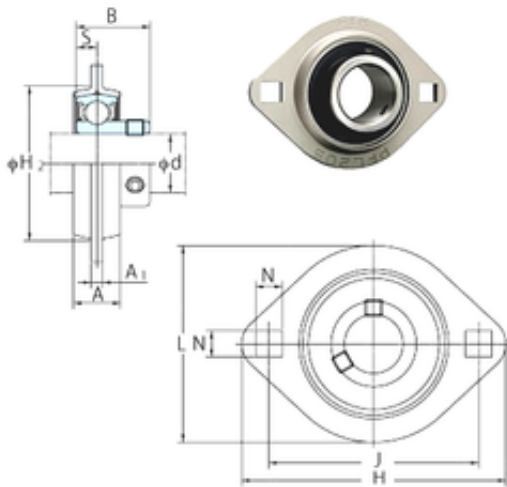




NTN Bearing Manufacturing



FYH SBPFL206-18 bearing units

Bearing No. SBPFL206-18

Bore Diameter	25 mm
Width	30 mm
d	25 mm
A	19 mm
A1	5,2 mm
B	30 mm
H	113 mm
H2	71 mm
J	90,5 mm
L	84 mm
N	11 mm
S	8 mm
Bolt (G)	M10
Weight	0,38 Kg
Basic dynamic load rating (C)	19,5 kN
Basic static load rating (C0)	11,3 kN

SBPFL206-18 Bearing 2D drawings and 3D CAD models