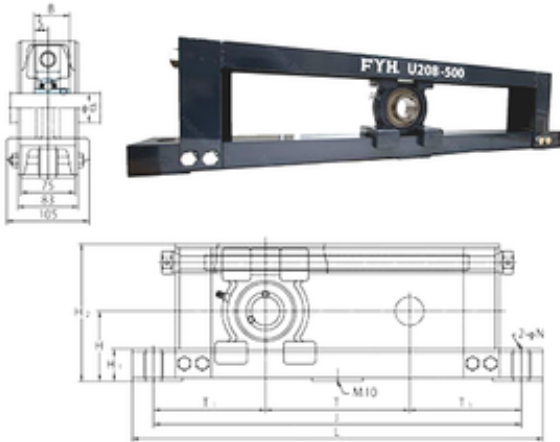




NTN Bearing Manufacturing

FYH UCTU209-800 bearing units

Bearing No. UCTU209-800



UCTU209-800 Bearing 2D drawings and 3D CAD models

Bore Diameter	45 mm
Width	49,2 mm
d	45 mm
T1	160 mm
B	49,2 mm
H	102 mm
H1	44 mm
H2	200 mm
J	1120 mm
L	1180 mm
N	22 mm
S	19 mm
T	800 mm
Bolt (G)	M18
Weight	27 Kg
Basic dynamic load rating (C)	34,1 kN
Basic static load rating (C0)	21,3 kN