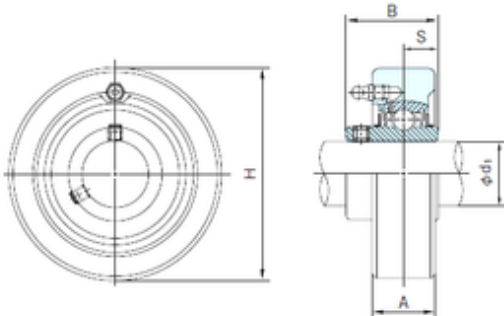




NTN Bearing Manufacturing

NACHI UCCX12 bearing units



Bearing No. UCCX12

Bore Diameter	60 mm
Width	65.1 mm
d	60 mm
A	44 mm
B	65.1 mm
H	160 mm
S	25.4 mm

UCCX12 Bearing 2D drawings and 3D CAD models