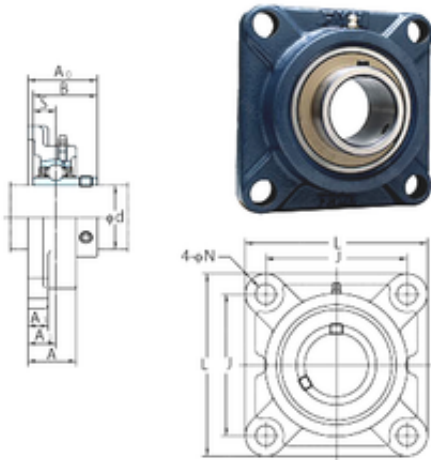




NTN Bearing Manufacturing

FYH UCFX07-22E bearing units



Bearing No. UCFX07-22E

Bore Diameter	34,925 mm
d	34,925 mm
A0	51,2 mm
A	38 mm
A1	14 mm
B	49,2 mm
J	102 mm
L	130 mm
N	13 mm
S	19 mm
Bolt (G)	7/16
A2	21 mm
Weight	2 Kg
Basic dynamic load rating (C)	29,1 kN
Basic static load rating (C0)	17,8 kN

UCFX07-22E Bearing 2D drawings and 3D CAD models