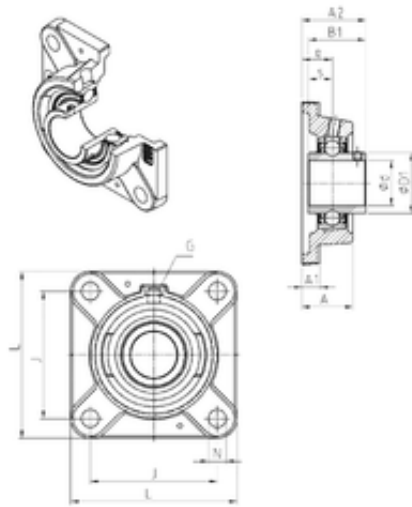




# NTN Bearing Manufacturing



## SNR UCFC213 bearing units

Bearing No. UCFC213

Bore Diameter	65 mm
d	65 mm
e	38 mm
s	25,4 mm
A	56 mm
A1	18 mm
B1	65,1 mm
D1	82 mm
J	150 mm
L	188 mm
N	18 mm
Thread (G)	R1/8"
A2	77,7 mm
Weight	6 Kg
Basic dynamic load rating (C)	57,2 kN

UCFC213 Bearing 2D drawings and 3D CAD models