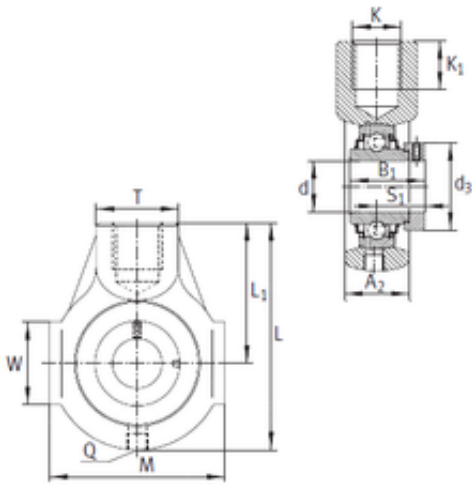




# NTN Bearing Manufacturing

## INA RHE35 bearing units

Bearing No. RHE35



RHE35 Bearing 2D drawings and 3D CAD models

Bore Diameter	35 mm
d	35 mm
S1	32,5 mm
K1	24 mm
Thread (Q)	Rp1/8
Thread (K)	M24
d3	51 mm
B1	51,3 mm
L	122 mm
L1	76 mm
M	90 mm
T	40 mm
W	49 mm
A2	32 mm
Weight	1,39 Kg
Basic dynamic load rating (C)	25,5 kN
Category	Mounted Units & Inserts
Inventory	0.0
Manufacturer Name	SCHAEFFLER GROUP
Minimum Buy Quantity	N/A
Weight / Kilogram	1.617
EAN	4012802788488
Product Group	M06110